



### Electrical Information

<b>Model No.</b>	ST05-30	ST05-50	ST05-60	ST05-75
<b>Power Consumption</b>	30W	50W	60W	75W
<b>Power Supply</b>	Becky			
<b>Input Voltage</b>	120-277 Vac, 50 / 60 Hz			
<b>Power Factor</b>	>0.9			
<b>Surge Protection</b>	4kV line-line, 6kV line-earth			
<b>Driver Type</b>	Constant Current (CC)			
<b>Control</b>	Dimmable / Photocell/ Microwave Sensor			
<b>Note</b>	NA			

### Optic Information

<b>LED Type</b>	LED 3030			
<b>Efficacy (4000K RA70)</b>	4500lm	7500lm	9000lm	11250lm
<b>Efficacy(4000K Ra70)</b>	150lm/W			
<b>Correlated Color Temperature</b>	4000K (3000K, 5000K optional)			
<b>Color Rendering Index</b>	Ra70 (Ra80 optional)			
<b>Beam Angle</b>	R01603, R01604, R01605			
<b>UGR level</b>	N/A			

### Description

TopStar is a well-designed LED post top and landscape lighting for parks, walkways, etc. The multiple mounting options make it optimal for all kinds of applications. This series provides a 3CCT adjustable and power selectable options in the field. Various optics provides efficient and uniform lighting distribution possibilities. It also delivers a full cutoff and is dark sky compliant.

### Key Features

- Contemporary, architectural design.
- Support the most popular mounting type such as single strut, twin strut, post top, side entry, etc.
- High output efficiency up to 150lm/w for optimal flexibility.
- More than 10 kinds of option lens for optional.
- The housing is made of 100% aluminum alloy.
- Akzo Outdoor Powder Coat for stronger anti-corrosion.
- Tool-less maintenance.
- Compatible with NEMA socket.

### Dimensions and Mount

<b>Product Dimension</b>	φ400×81mm (φ15.75×3.19")
<b>Luminaire Net Weight</b>	5.3±0.3kg (11.7± 0.66Lbs)
<b>Export Carton Size</b>	460x460x155mm (18.1x18.1x6.1")
<b>Gross Weight</b>	6.5kg±0.3kg (14.3± 0.66Lbs)
<b>Mounting Option</b>	Single strut mounting, Twin strut mounting, Straight-arm mounting, Post top mounting, Side entry mounting, Gooseneck mounting, Surface mounting, Conduit mounting
<b>Material</b>	Aluminum Alloy Tempered Glass+Polycarbonate Optical Lens
<b>Finish</b>	Powder coating
<b>Fixture Color</b>	Black (RAL9005), Bronze (RAL8019)
<b>EPA</b>	0.11m²/1.15ft²
<b>IK Rating</b>	IK08
<b>IP Rating</b>	IP66
<b>Category of corrosion</b>	C3

### Lifespan and Warranty

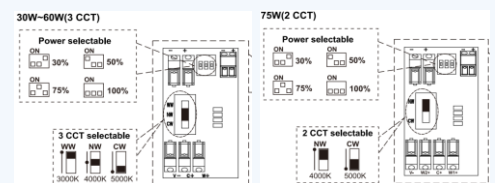
<b>Operating Temperature</b>	-30°C to + 50°C (-22°F to+122°F)
	43000hrs-L90
<b>Life Time of LED @Ta=25°C</b>	89000hrs-L80
	142000hrs-L70
<b>Warranty</b>	5 Years

### Applications

- Roadway
- Parks
- Public square
- Private Garden
- Residential Area
- Walkway path Way
- Underground parking lot

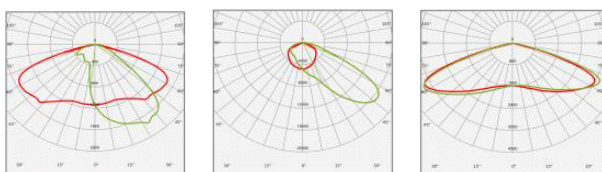
### New Features

- The CCT could be set to Cool White, Natural White and Warm White.
- Power Selectable, available for 30%, 50%, 75% and 100%.



\* Please consult us for details.

### Photometry



A01603

A01604

A01605

## Mounting Options and Light Curve (Efficacy 4000K Ra70±10%)



Single strut mounting



Twin strut mounting



Straight-arm mounting



Post top mounting



Side entry mounting



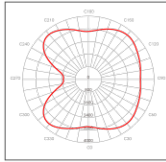
Gooseneck mounting



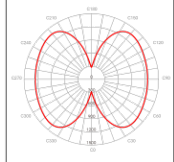
Surface mounting



Conduit mounting

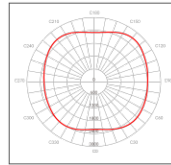


140lm/W



130lm/W

Power Supply



150lm/W

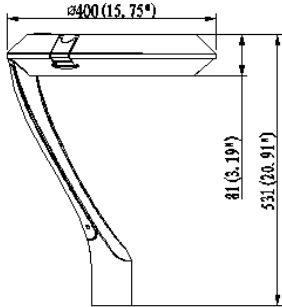
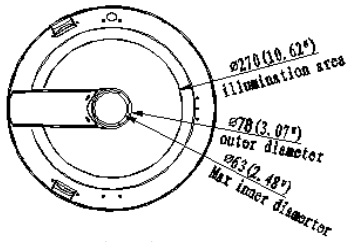
## Product Code List

Mounting Option	Min. Power	QTY/CTN	NW (± 0.3kg/ ± 0.66Lbs )	GW(± 0.3kg/ ± 0.66Lbs )	Export Carton Size (mm/inch)
Single strut		5	8kg (17.6Lbs)	11kg (24.2Lbs)	520x520x275mm (20.07x20.07x25.39")
Twin strut		5	9kg (19.8Lbs)	12.5kg (27.6Lbs)	500x550x335mm (19.7x21.6x13.2")
Straight-arm bracket		15	18kg (39.7Lbs)	21.3kg (47Lbs)	610x540x240mm (24.0x21.3x9.4")
Slip fitter bracket		15	18kg (39.7Lbs)	20.1kg (44.3Lbs)	420x270x335mm (16.5x10.6x13.2")
Gooseneck bracket		20	10kg (22.0Lbs)	12.5kg (27.6Lbs)	360x280x285mm (14.2x11x11.2")
Surface mount		10	9kg (19.8Lbs)	10.1kg (22.3Lbs)	520x390x245mm (20.5x15.6x9.6")
Conduit mount		30	9kg (19.8Lbs)	10.4kg (22.9Lbs)	285x285x310mm (11.2x11.2x12.2")

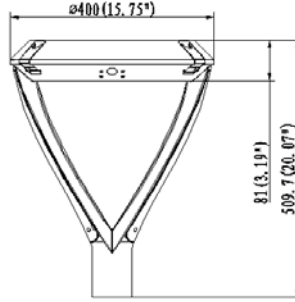
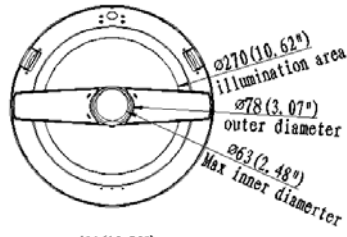
\* The light distribution will be different due to the different mounting brackets.

## Dimensions

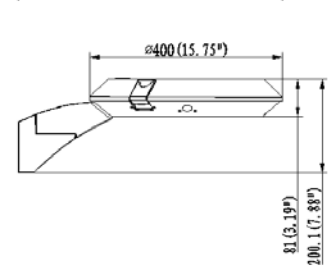
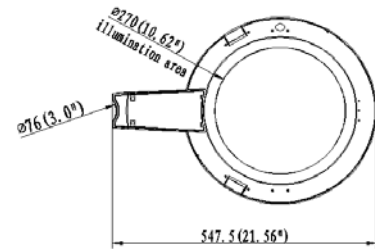
Unit:(mm/inch)



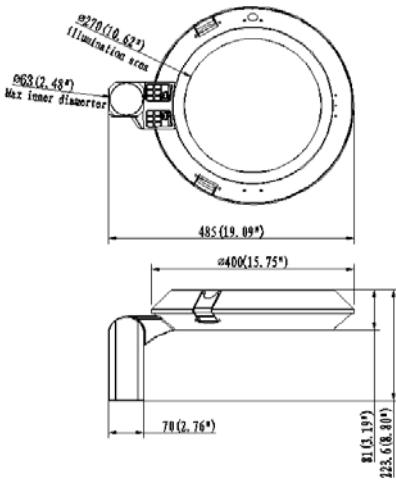
Single strut mounting



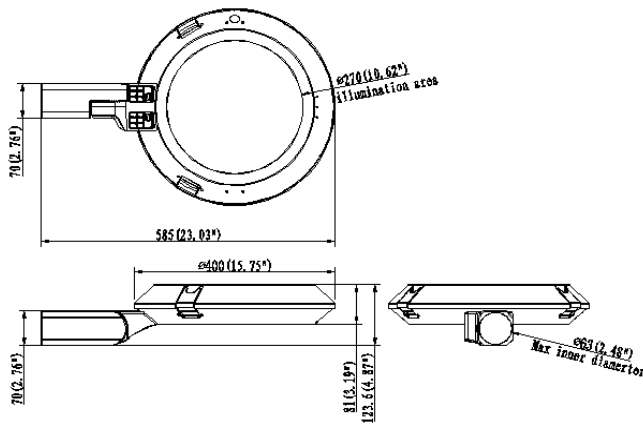
Twin strut mounting



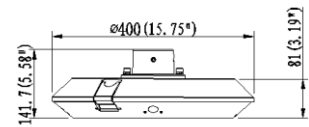
Straight-arm mounting



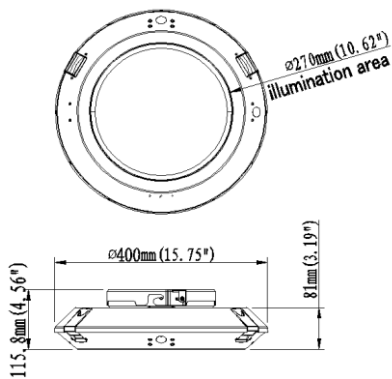
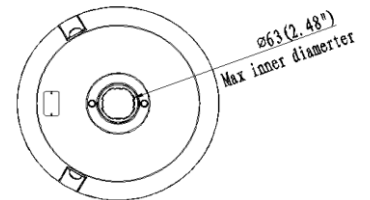
Post top mounting



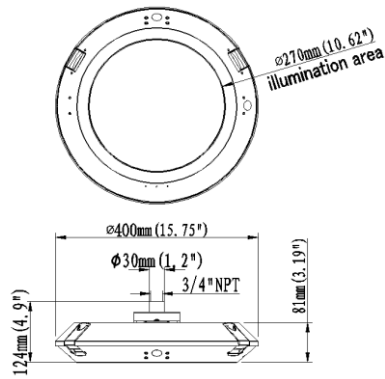
Side entry mounting



Gooseneck mounting



Surface mounting



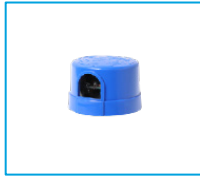
Conduit mounting

## Accessories



### NEMA socket

ANSI C136.41-2013 Dimming Receptacles, 3pin/ 5pin /7pin are optional.



### Photocell control

ANSI C136.10-1996 Twist Lock for On-Off function only.



### Shorting cap

Cover NEMA socket when it is not used.



### Single strut

ADC12 materials with outdoor powder coating. for dia.60mm pole.



### Twin strut

ADC12 materials with outdoor powder coating. for dia.60mm pole.



### Straight-arm bracket

ADC12 materials with outdoor powder coating. for dia.60mm pole, for 74mm square pole.



### Slip fitter bracket

ADC12 materials with outdoor powder coating. for dia.60mm pole.



### Gooseneck bracket

ADC12 materials with outdoor powder coating. for dia.60mm pole.



### Surface mount

SPCC materials with outdoor powder coating.



### Conduit mounting

SPCC materials with outdoor powder coating.



### Microwave sensor bracket kits

AL1060 materials .