



Electrical Information						
<b>Model No.</b>	SL15-30	SL15-40	SL15-50	SL15-60	SL15-80	SL15-100
<b>Power Consumption (±5%)</b>	30W	40W	50W	60W	80W	100W
<b>Power Supply</b>	Inventronics					
<b>Input Voltage</b>	220-240Vac, 50 / 60 Hz					
<b>Power Factor</b>	>0.9					
<b>Surge Protection</b>	6kV line-earth, 4kV line-line					
<b>Driver Type</b>	Constant current (CC)					
<b>Battery</b>	LiFePO4 battery					
<b>Battery Capacity</b>	230.4WH	307.2WH	384WH	460.8WH	460.8WH	614.4WH
<b>Solar Panels</b>	Mono-crystalline solar panel					
<b>Solar Panel Wattage</b>	45W	63W		80W		90W
<b>Charging Time</b>	>9 hours					
<b>Operating Time</b>	Normal mode with 100% brightness>7.7hours, Intelligent mode 3-4 days				Normal mode with 100% brightness>6hours, Intelligent mode 3-4 days	
<b>Solar Charge Controller</b>	MPPT					
<b>Working Mode</b>	Refer Intelligent control					
<b>Control</b>	Timmer dimming/PIR sensor					

Optic Information						
<b>LED Type</b>	LED 2835					
<b>Luminous Flux (±10%)</b>	6000lm	8000lm	10000lm	12000lm	16000lm	20000lm
<b>Efficacy (4000K Ra70)</b>	200lm/W					
<b>Correlated Color Temperature</b>	4000K (3000K, 5000K optional)					
<b>Color Rendering Index</b>	Ra70 (Ra80 optional)					
<b>Beam Angle</b>	R10801, R10803, R10805					
<b>UGR Level</b>	NA					

## Description

Wagonway's Max Solar Fin is an improvement for Solar lighting. This fixture is a very powerful all in one integrated design with solar panel, battery, controller, and motion sensor make this system easy to install and very reliable. Providing light up to 3 days on a 8-hour charge!

### For Retrofit Projects

Our innovative hybrid Solar technology allows you to install lights that are primarily Solar powered but provide peace of mind with secondary electrical grid supply - a first for the US Solar lighting industry!

### For New Projects

If you are looking for 100% Solar, without a need for back-up power, now there is an economical and easy way to bring light to areas without access to the electric grid.

## Key Features

- Full wattages, 30W, 40W, 50W, 60W, 80W, 100W.
- High system efficiency up to 200lm/w, lumen package from 6000lm to 20000lm.
- Smart control with built-in PIR sensor and timmed dimming.
- Higher conversion Mono-crystalline photovoltaic solar panel.
- Easy maintainance with removable battery.
- ±80° adjustable mounting angle

## Applications

- Village streets
- Urban road
- Courtyard
- Parking lot
- Walk path
- Park

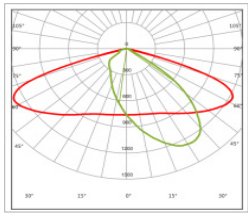
## Dimintions and Mount

<b>Product Dimension</b>	31.33x16.61x13.46"	43.30x16.61x13.46"	50.47x16.61x13.46"	60.70x16.61x13.46"
<b>Luminaire Net Weight (lbs)</b>	29.76 LBS	36.37 LBS	37.47 LBS	44.09 LBS, 47.39 LBS, 52.91 LBS
<b>Export Carton Size</b>	35.82x20.86x10.03"	48.22x20.86x10.03"	55.31x20.86x10.03"	65.15x20.86x10.03"
<b>Gross Weight (lbs)</b>	34.83 LBS	42.99 LBS	44.31 LBS	50.92 LBS, 54.45 LBS, 60.84 LBS
<b>Mounting Option</b>	Post top mounting			
<b>Material</b>	Aluminum alloy			
	Polycarbonate optical lens			
	LiFePO4 battery			
	Mono-Crystalline solar panel			
<b>Finish</b>	Powder coating			
<b>Fixture Color</b>	Silver			
<b>EPA</b>	0.403m <sup>2</sup> (4.34ft <sup>2</sup> )	0.557m <sup>2</sup> (6ft <sup>2</sup> )	0.649m <sup>2</sup> (6.99ft <sup>2</sup> )	0.776m <sup>2</sup> (8.35ft <sup>2</sup> )
<b>IP Rating</b>	IP65			
<b>Category of corrosion</b>	C3 (ISO 9223:2012)			

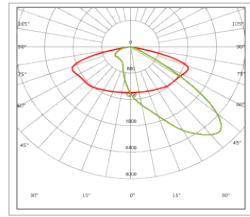
<b>Operating Temperature</b>	0°C to + 50°C	
<b>Life Time of LED @Ta=25°C</b>	64000hrs-L80	
	101000hrs-L70	
<b>Warranty</b>	Battery	3 Years
	Other accessories	5 Years

## New Features

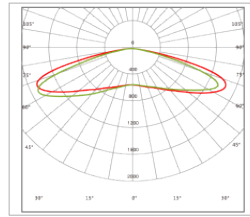
## Photometry



A10801



A10803



A10805

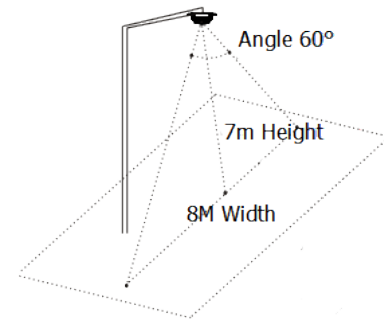
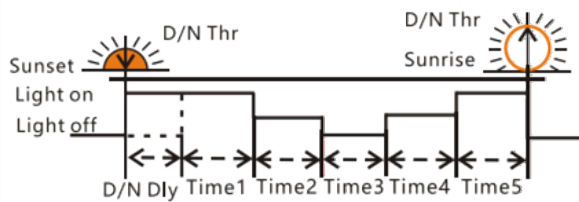
## Mounting Options



Post Top Mount

## Intelligent Control Mode

### 5 Stage Night Mode



PIR Sensor Detect Areas

\* Please note the sensor function is available from time 1 to time 4.  
 \*You can set the fixtures with 4 stages timer dimming yourself by the remote control.

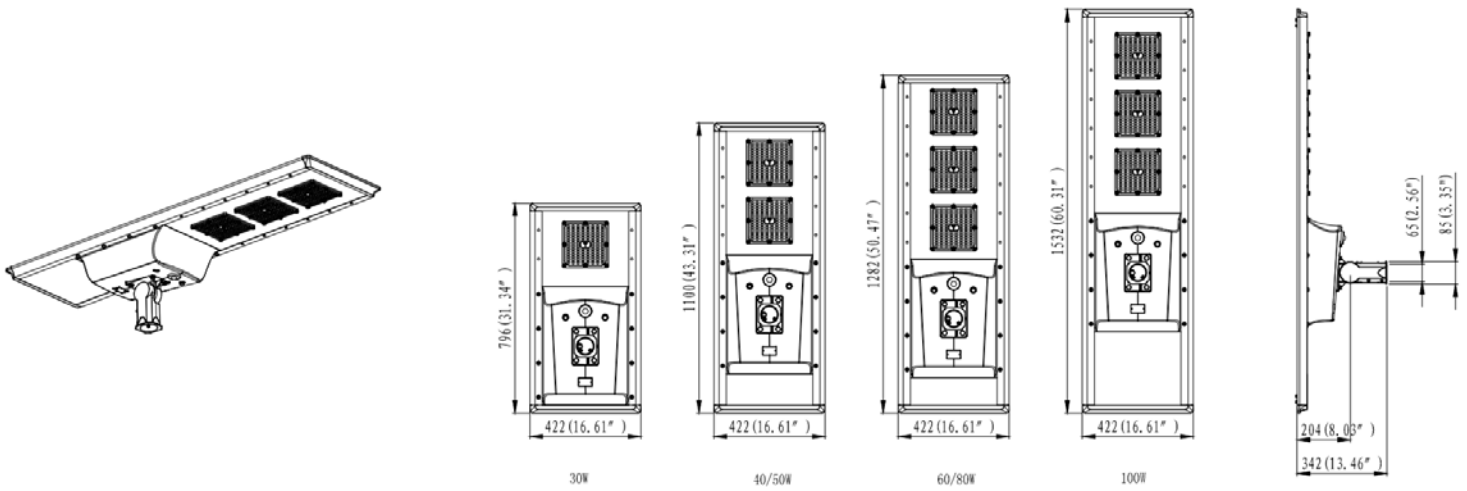
### Factory Default setting

With sufficient natural light, the light keeps charging.	The light keeps 100% brightness for 0.5 hour.	The light keeps 50% brightness when presence is detected in the 1st 4 hours.	The light keeps 10% brightness when no presence is detected after 30S hold time in the 1st 4 hours.	The light keeps 20% brightness when presence is detected in the 2nd 4 hours.	The light keeps 10% brightness when no presence is detected after 30S hold time in the 2nd 4 hours.	The light keeps 10% brightness for 3 hours until sunrise.

The Controller recognizes day and night based on the Solar Array Open Circuit Voltage, this day/night threshold can be modified according to local light conditions and the Solar Array Used, setting range 3.0 ~8.0V

## Dimensions

Unit: mm



## Accessories



### Remote control

remote controller for solar street light.