



Description

Cycloid offers a elegant, simple design, with modern aesthetic. The 18W uplight, which is offered as a standard design feature eliminates the “cave effect” which is often caused by traditional parking garage lights. Cycloid is a great lighting choice for parking lots.

Key Features

- ADC12 die-casting aluminum, which has excellent heat dissipation effect.
- High output efficiency up to 165lm/W.
- PIR/microwave sensor are optional.
- The uplight flux accounts for 5%-10% of the total fixture light flux.
- Emergency backup available.
- 3/4”NPT mount and ceiling mount are available.
- IP65 & IK08.

Applications

- Indoor parking area
- Garage
- Basement

Electrical Information

Model No.	CP10-25	CP10-40	CP10-60	CP10-80	CP10-100
Power Consumption(W)	25/19/13/7.5 (Selectable)	40/30/20/12 (Selectable)	60/45/30/18 (Selectable)	80/60/40/24 (Selectable)	100/75/50/30 (Selectable)
Power Supply	Becky				
Input Voltage	120-277 Vac, 120-347Vac, 50 / 60 Hz				
Power Factor	>0.9				
Surge Protection	4kV line-line, 6kV line-earth				
Driver Type	Constant current (CC)				
Control	Dimmable, Microwave sensor, PIR sensor, 8W1.5H emergency backup optional				
Note	NA				

* The tolerance for power is ±5%.

Optic Information

LED Type	LED 2835				
Luminous Flux@4000K Ra70 (lm)	4125	6600	9900	13200	16500
Efficacy@3000K Ra70(lm/W)	150				
Efficacy@4000K Ra70(lm/W)	165				
Efficacy@5000K Ra70(lm/W)	155				
Correlated Color Temperature	CCT (3000K, 4000K, 5000K)				
Color Rendering Index	Ra70 (Ra80 optional)				
Beam Angle	U00C09 (Type V)			U00C07 (Type V)	
UGR level	NA				

* The tolerance for luminous flux is ±10%.

Dimensions and Mount

Product Dimension (mm/inch)	φ272x78/φ10.7x3		φ322x84/φ12.7x3.3	
Luminaire Net Weight (kg/lbs)	2.1/4.63		2.6/5.73	
Export Carton Size (mm/inch)	330x330x130/13x13x5.12		375x375x140/14.76x14.76x5.51	
Gross Weight (kg/lbs)	2.8/6.1		3.8/8.4	
Mounting Option	Surface mounting, Conduit mounting			
Material	Aluminum alloy Polycarbonate optical lens			
Finish	Powder coating			
Fixture Color	White (RAL9016)			
EPA	NA			
IK Rating	IK08			
IP Rating	IP65			
Category of corrosion	C3			

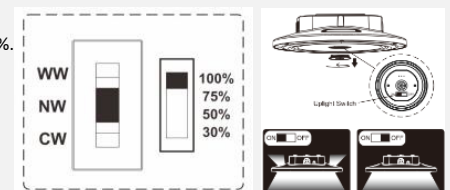
* The tolerance for weight is ±6%.

Lifespan and Warranty

Operating Temperature(°C/°F)	-30 to + 50 / (-22 to +122)	-30 to + 45/ (-22 to +113)
Operating Temperature of Emergency Solution(°C/°F)	0 to + 40 / (32 to +104)	
Lifespan of LED @Ta=25°C(hours)	L80-91000	L70-153000
Warranty (years)	5	

New Features

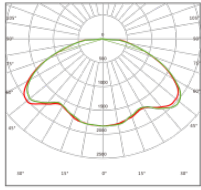
- 3 CCT available.
- Power selectable, available for 30%, 50%, 75% and 100%.
- External emergency back up optional.
- Up light switch as standard.
- PIR / microwave sensor only work for lighting fixture with 100% power output



* Please consult us for details.

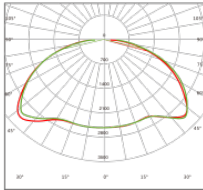
Photometry

25W/40W/60W beam



A00C09

80W/100W beam



A00C07

Mounting Options



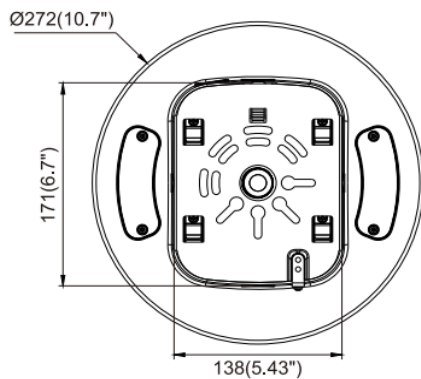
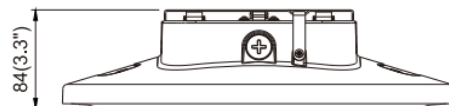
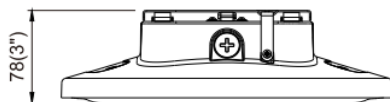
Surface mounting



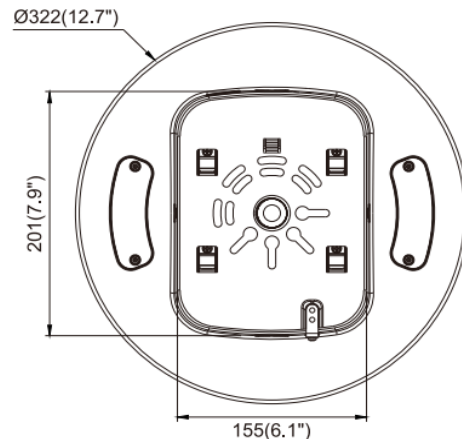
Conduit mounting

Dimensions

Unit:mm/inch



25W/40W/60W



80W/100W

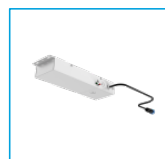
Accessories



Motion sensor
PC
Ø52*20mm



PIR sensor
PC
Ø61*28mm



Emergency kit
SPCC
8W1.5H emergency backup
IP Rating:IP20



Emergency kit
SPCC
8W1.5H emergency backup
Operating Voltage: 120-347V
IP Rating:IP20