



Description

Pathfinder is an innovative bollard light which enhances the aesthetic and beauty of modern cityscapes. Its architectural design can meet the demands of different areas in squares, parks, gardens, sidewalks and others

Key Features

- IP66 and IK10
- Unique and gorgeous appearance
- Visor is available as accessory
- Professional Type V light distribution

Applications

- Gardens
- Pathways
- Sidewalk
- Building entrance

Electrical Information

Model No.	BL05
Power Consumption(W)	22/16.5/11/6.6 (Selectable)
Power Supply	Done
Input Voltage	120-277 VAC , 50 / 60 Hz
Power Factor	>0.9
Surge Protection	6kV line-line, 15kV line-earth
Driver Type	Constant Current (CC)
Control	1-10V dimmable
Note	NA

* The tolerance for power is $\pm 10\%$.

Optic Information

LED Type	LED 3030
Luminous Flux (lm)	2420
Efficacy (lm/W) (4000K Ra70)	110
Correlated Color Temperature(K)	3000, 4000, 5000(Selectable)
Color Rendering Index	Ra70 (Ra80 optional)
Beam Angle	R03203 (Type V)
UGR level	NA

* The tolerance for luminous flux is $\pm 10\%$.

Dimensions and Mount

Product Dimension(mm/inch)	19.69 inch: $\Phi 165 \times 500$ ($\Phi 6.5 \times 19.69$ ")
	42 inch: $\Phi 165 \times 1067$ ($\Phi 6.5 \times 42$ ")
Luminaire Net Weight(kg/Lbs)	19.69 inch: 4.8 (10.57)
	42 inch: 7.1 (15.64)
Export Carton Size (All-in-one package)(mm/inch)	Lamp 19.69 inch: 655x210x215 (25.79"x8.27"x8.46")
	Lamp 42 inch: 1230x210x215 (48.43"x8.27"x8.46")
Gross Weight (All-in-one package)(kg/Lbs)	Lamp 19.69 inch: 5.5 (12.11)
	Lamp 42 inch: 8.1 (17.84)
Export Carton Size (Separated package)(mm/inch)	Lamp body: 360 x 210 x 215 (14.17"x8.27"x8.46")
	Lamp holder 19.69 inch: 505x210x215 (19.88"x8.27"x8.46")
	Lamp holder 42 inch: 1075x210x215 (42.32"x8.27"x8.46")
Gross Weight (Separated package)(kg/Lbs)	Lamp body: 3 (6.61)
	Lamp holder 19.69 inch: 2.94 (6.48)
	Lamp holder 42 inch: 5.44 (11.99)
Mounting Option	Mounting kit with anchor bolts
Material	Aluminum alloy
	Polycarbonate optical Lens
Finish	Powder coating
Fixture Color	Black (RAL 9017)
EPA	NA
IK Rating	IK10
IP Rating	IP66
Category of corrosion	C3

* The tolerance for weight is $\pm 6\%$.

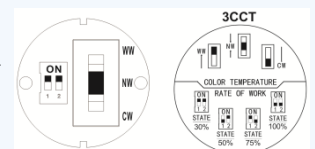
Lifespan and Warranty

Operating Temperature($^{\circ}\text{C}/^{\circ}\text{F}$)	-30 to +45 (-22 to +113)
Life Time of LED @Ta=25 $^{\circ}\text{C}$ (hours)	L90-57,000
	L80-150,000
	L70-236,000
Warranty(Years)	5

New Features

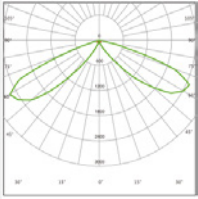
- The power could be set to 30%, 50%, 75% and 100%.
- The CCT could be set to Cool White, Natural White and Warm White.
- Please select a suitable Power and CCT by the switch.

* Please consult us for details.



Photometry

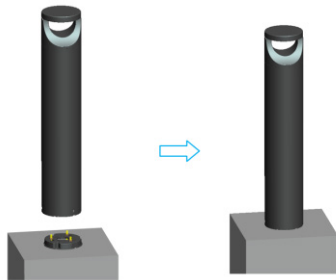
22W beam angle



A03203

Mounting Options

Mounting kit with anchor bolts



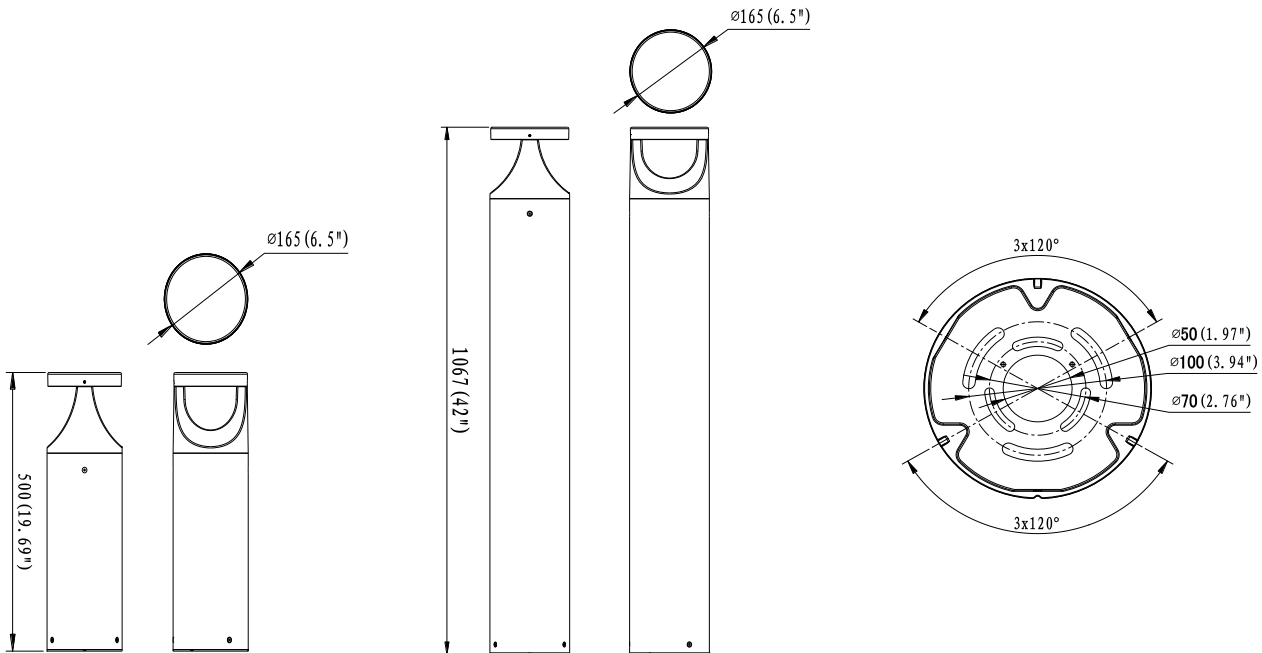
Dimensions

19.69 inch 22W

42 inch 22W

Base plate templates

Unit:mm/inc



Accessories



Round House Side Shield
To reduce glare light



Terminal Box



Backfilled Anchor
Q235 +SPCC, hot dip galvanizing
 $\varnothing 130 \times 508$ mm.



Terminal Block With Bracket
For connecting wires, the height of the bracket is 6inch, suitable for 19.69inch lamps



Terminal Block With Bracket

For connecting wires, the height of the bracket is 12inch, suitable for 42inch lamps